



**DR. MARKUS MEZGER**

**MAX PLANCK INSTITUTE FOR POLYMER RESEARCH,  
GERMANY**




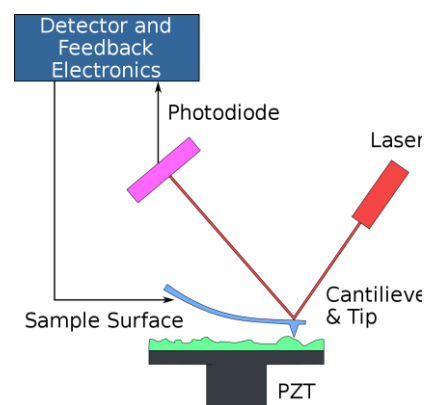
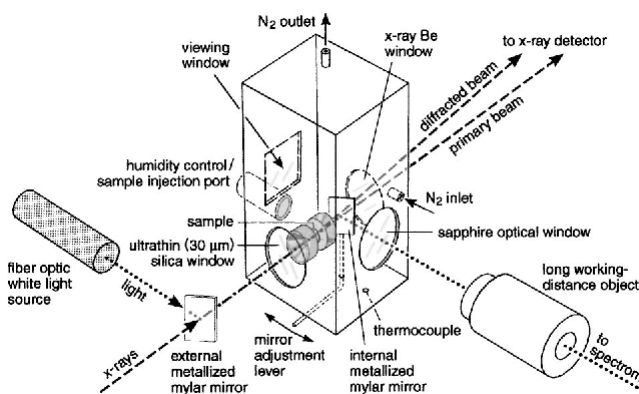
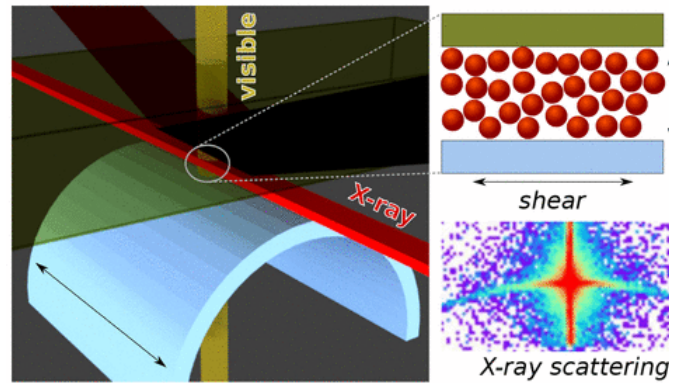
## „STRUCTURE AND DYNAMICS OF CONFINED LIQUIDS STUDIED BY AN X-RAY SURFACE FORCE APPARATUS”

**What are Confined Fluids?**

They are fluids that are in a closed system.

Examples:

- ★ Air in Air Mattress
- ★ Propane in propane tank
- ★ Paint in Spray Paint Can
- ★ Blood in the Body

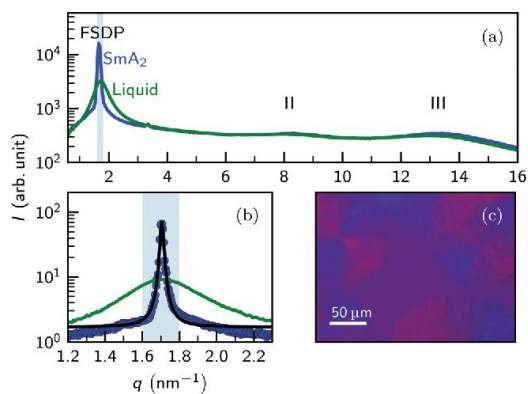


Fig. 4. Liquid crystalline phases of  $\text{Cs}_2\text{SnF}_7$  at 170 °C. (a) SAXS

